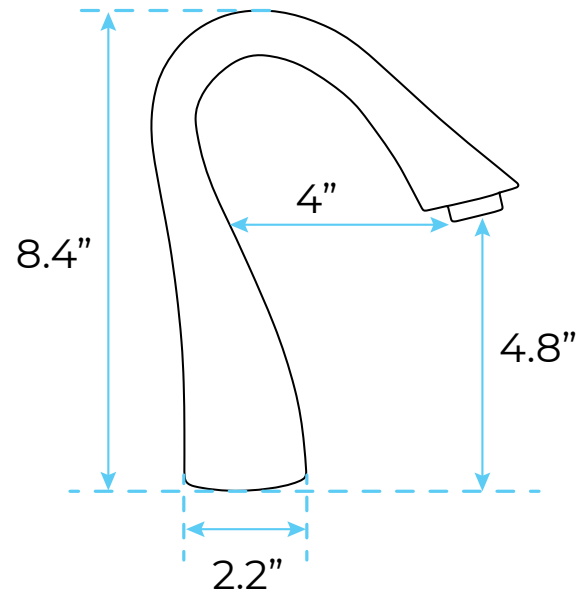


DECK MOUNT COMMERCIAL BRUSHED NICKEL AUTOMATIC SENSOR FAUCET SPECIFICATIONS



Size



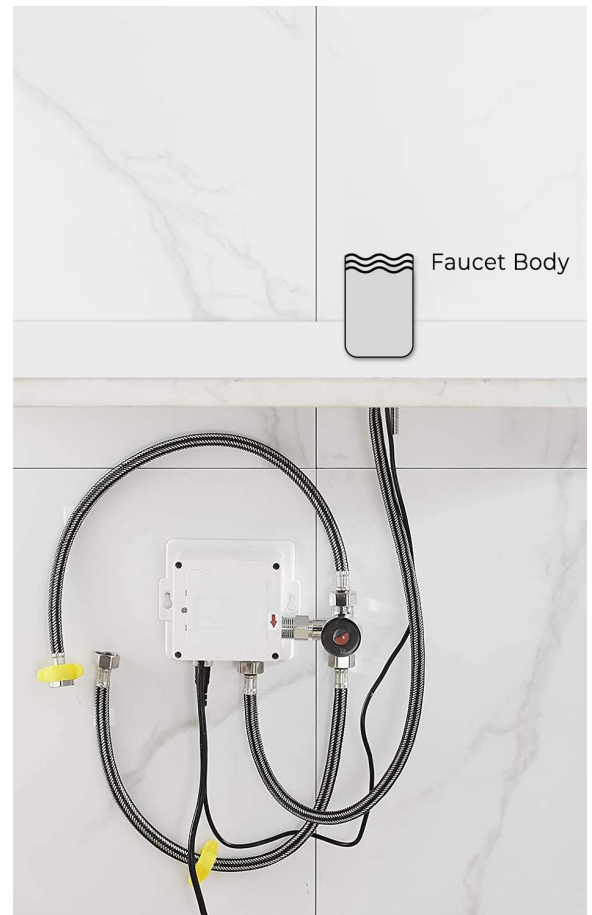
Specs

Power: DC:6V(4AA alkaline battery) AC:220V-240V; 50/60HZ
 Water Consumption: 0.05Mpa-0.6Mpa
 Detection Zone: 16-32 cm or adjustable
 Motor valve lifespan: up to 500000 flushes
 Battery lifespan: 100000 cycles
 Static Power Consumption: 0.36mw
 Working Power consumption: 0.5mw
 Inductive Opening Time: < 1 second
 Inductive Closing Time: < 2 second
 Dia.of inlet / outlet pipe: G1/2"
 Flux: $\geq 0.07L/S$
 Power Supply: Box Transformer (BOX)
 Temperature Mixer: Below Deck Manual Mixing Valve (BDM)
 Factory Default Timeout: 30s
 Factory Default GPC: 0.75
 Working pressure: 0.05 - 1.6 Mpa
 Water flow: 1.2GPM (4.54 L/Min) @ 60PSI

FEATURES

Commercial Grade Faucet, ADA Compliant, Cast Brass Spout, Quick Connect Fittings, Integrated Water Shut-off, Hygienic Line Flush, Water Usage and Battery Strength Reporting, Self-adapting Sensor

Overview



All dimensions and specifications are nominal and may vary. Use actual products for accuracy in critical situations.